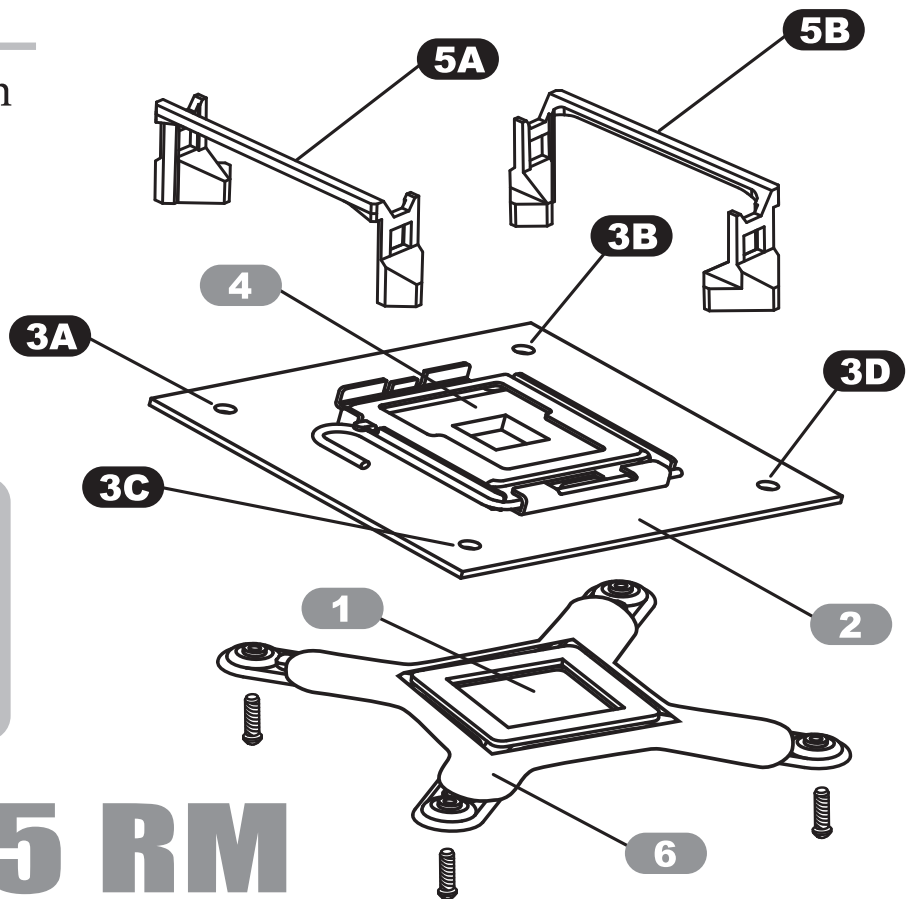


## Ease of Installation

### Parts List

LGA 775 RM x 2  
Metal Backplate x 1  
Screws x 4

# LGA775 RM



1. Put the metal backplate (Item 1) under the motherboard (Item 2) with the white cushion side up. Peel off the white paper and make sure the "X" clear plastic (Item 6) surround the sticky rubber.
2. Align the backplate to cope with the four holes (Item 3A/B/C/D) around LGA775 socket (Item 4) and then stick the backplate onto back of the motherboard.
3. Decide on your preferred heatsink orientation, and then put on the LGA775 RM (Item 5A/B), one at a time.
4. Fix the screws from bottom toward top.